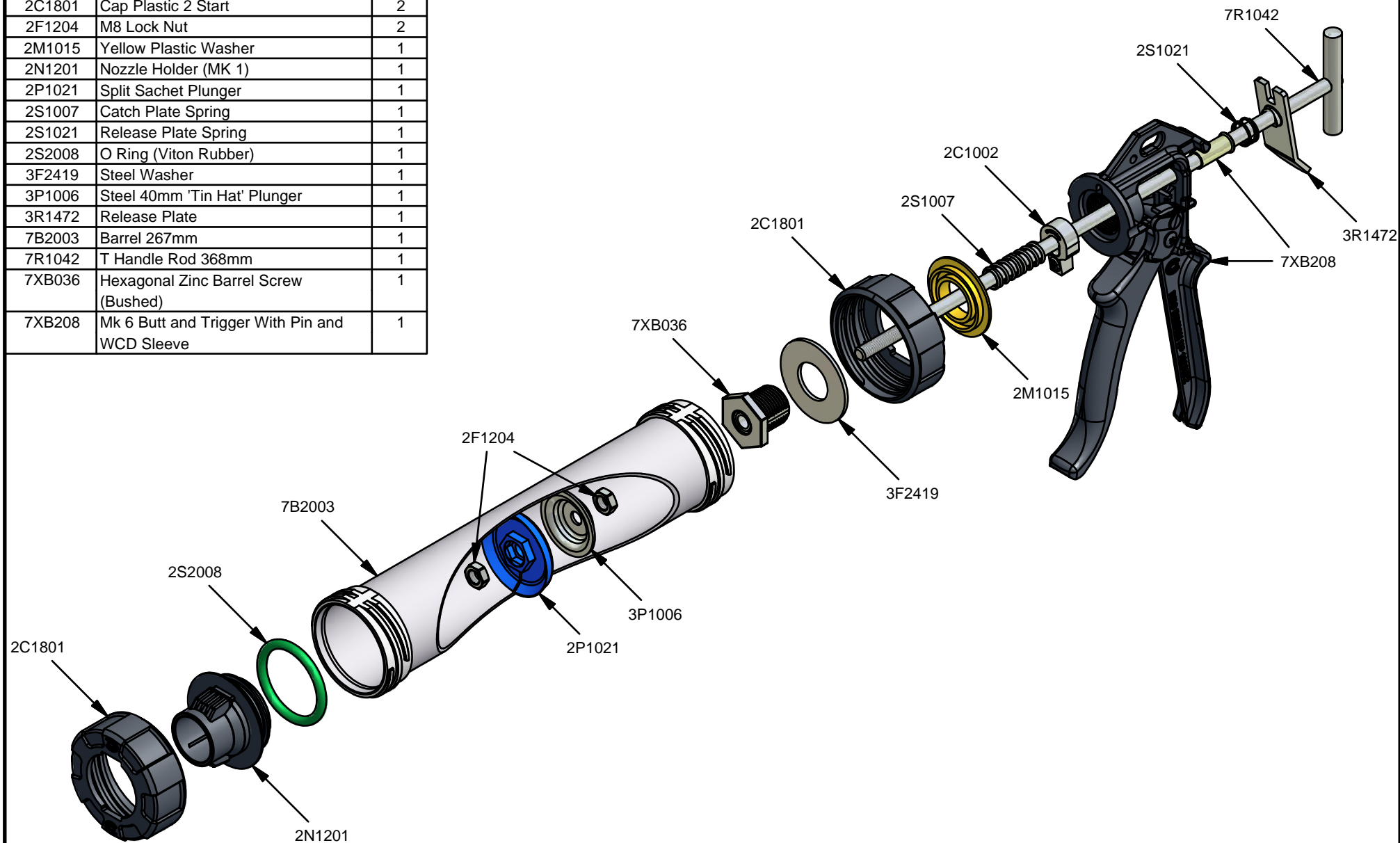


Parts List		
STOCK No	DESCRIPTION	QTY
2C1002	Mk5 Catch Plate	1
2C1801	Cap Plastic 2 Start	2
2F1204	M8 Lock Nut	2
2M1015	Yellow Plastic Washer	1
2N1201	Nozzle Holder (MK 1)	1
2P1021	Split Sachet Plunger	1
2S1007	Catch Plate Spring	1
2S1021	Release Plate Spring	1
2S2008	O Ring (Viton Rubber)	1
3F2419	Steel Washer	1
3P1006	Steel 40mm 'Tin Hat' Plunger	1
3R1472	Release Plate	1
7B2003	Barrel 267mm	1
7R1042	T Handle Rod 368mm	1
7XB036	Hexagonal Zinc Barrel Screw (Bushed)	1
7XB208	Mk 6 Butt and Trigger With Pin and WCD Sleeve	1



# Powerflow Combi 400 HP Sachet



www.pccox.co.uk  
 sales@pccox.co.uk  
 TEL:44(0)1635 264500

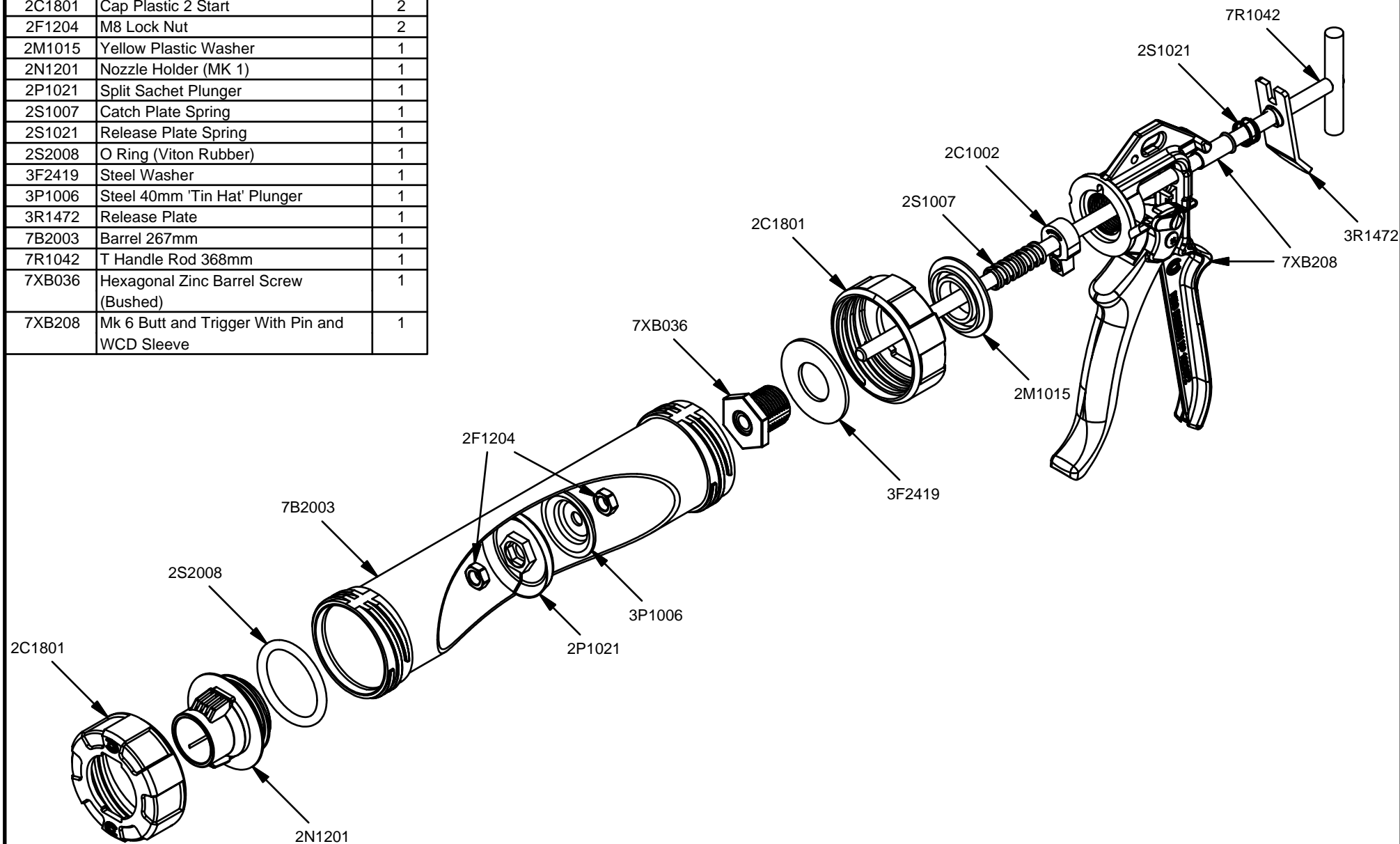
REV

DATE

C

04/01/2005

Parts List		
STOCK No	DESCRIPTION	QTY
2C1002	Mk5 Catch Plate	1
2C1801	Cap Plastic 2 Start	2
2F1204	M8 Lock Nut	2
2M1015	Yellow Plastic Washer	1
2N1201	Nozzle Holder (MK 1)	1
2P1021	Split Sachet Plunger	1
2S1007	Catch Plate Spring	1
2S1021	Release Plate Spring	1
2S2008	O Ring (Viton Rubber)	1
3F2419	Steel Washer	1
3P1006	Steel 40mm 'Tin Hat' Plunger	1
3R1472	Release Plate	1
7B2003	Barrel 267mm	1
7R1042	T Handle Rod 368mm	1
7XB036	Hexagonal Zinc Barrel Screw (Bushed)	1
7XB208	Mk 6 Butt and Trigger With Pin and WCD Sleeve	1



# Powerflow Combi 400 HP Sachet



www.pccox.co.uk  
 sales@pccox.co.uk  
 TEL:44(0)1635 264500

REV

C

DATE

04/01/2005